

SPARE PARTS EXPLODED VIEW GAS WALL BOILERS

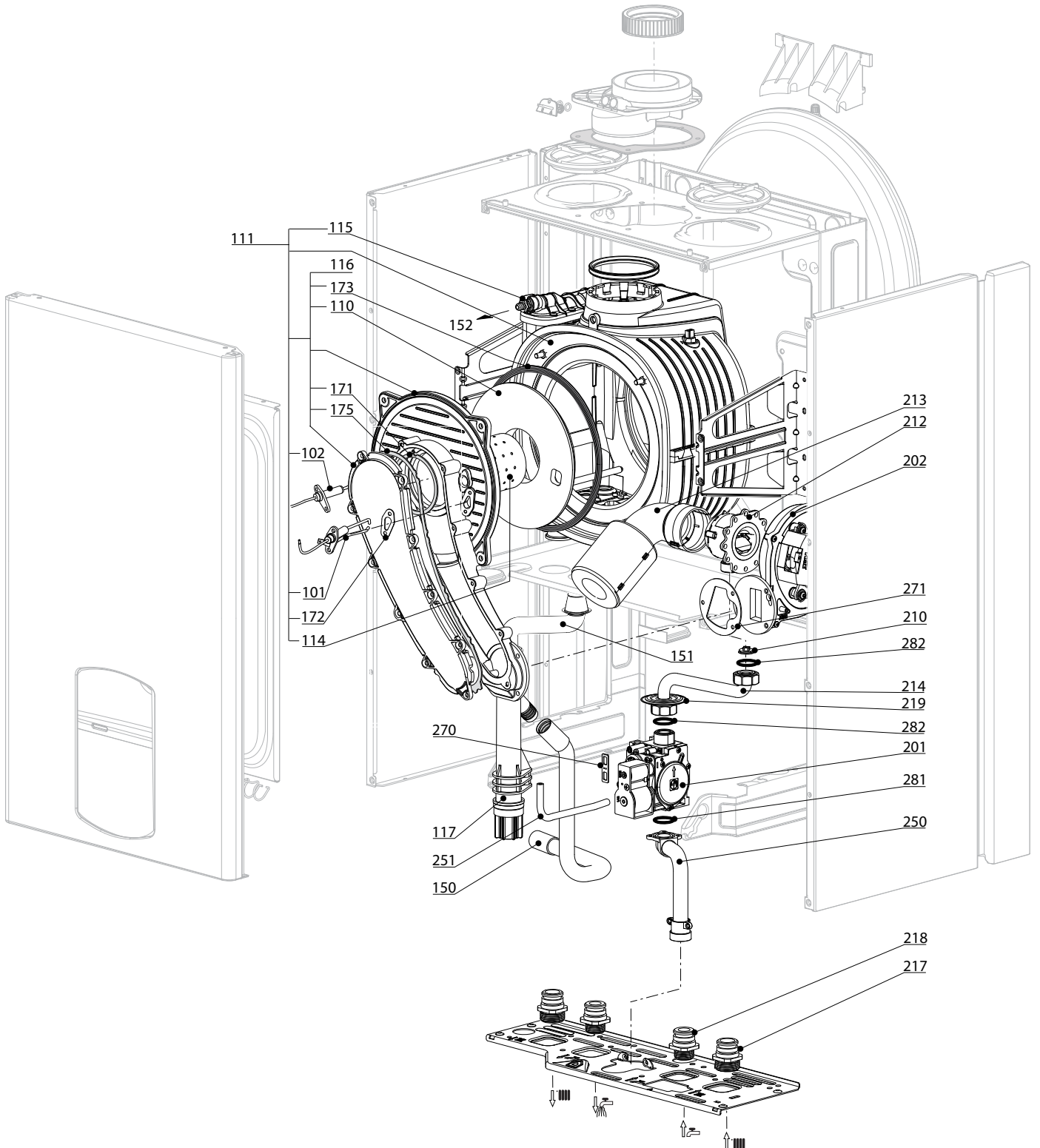
Model

MIRA C GREEN EVO

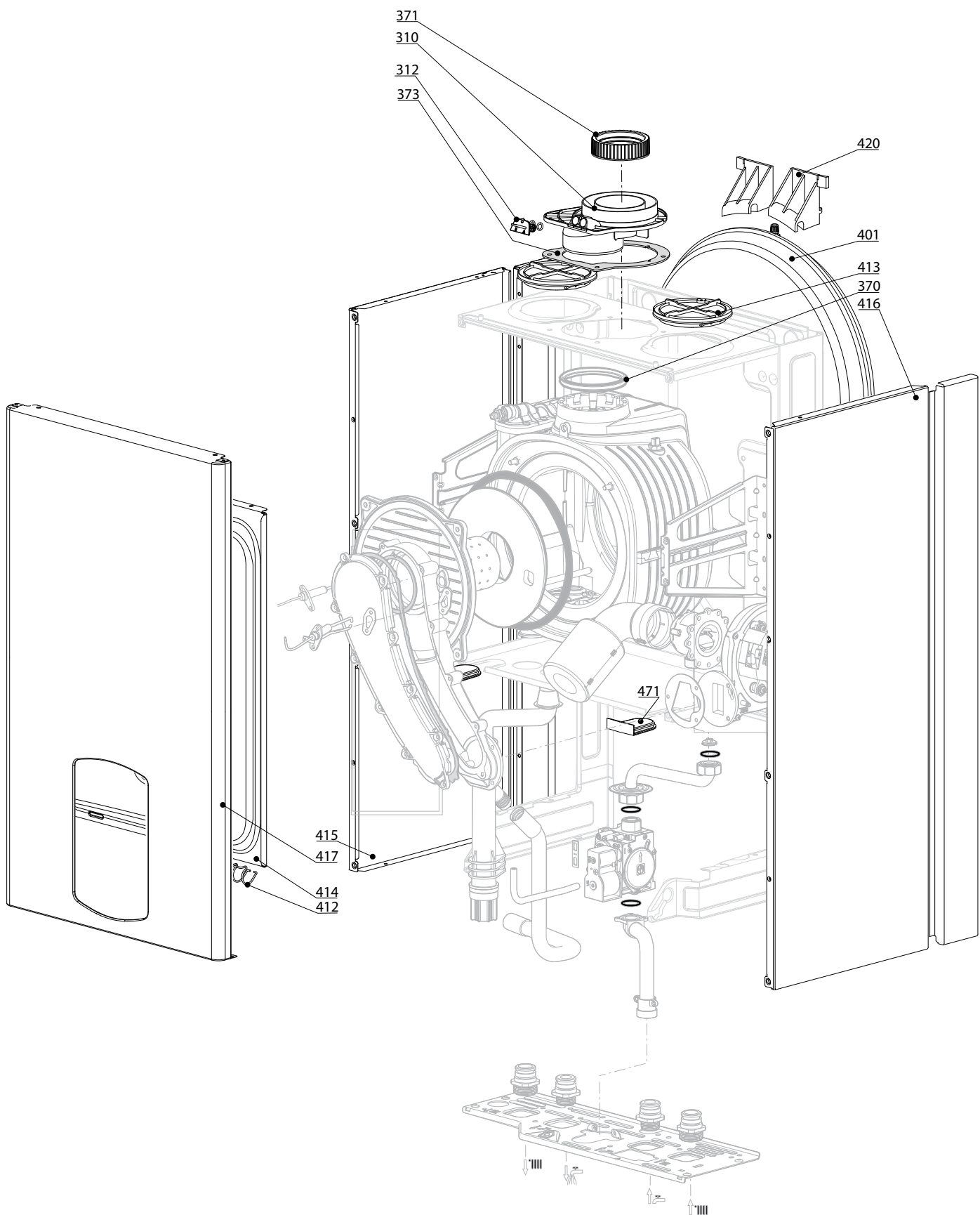
R8203350-01 - 13/06/2012

1	3310220	MIRA C GREEN EVO 25 FR BE	07-2012
2	3310309	MIRA C GREEN EVO 25 3CEP FR BE	07-2012
3	3310221	MIRA C GREEN EVO 30 FR BE	07-2012
4	3310222	MIRA C GREEN EVO 35 FR BE	07-2012

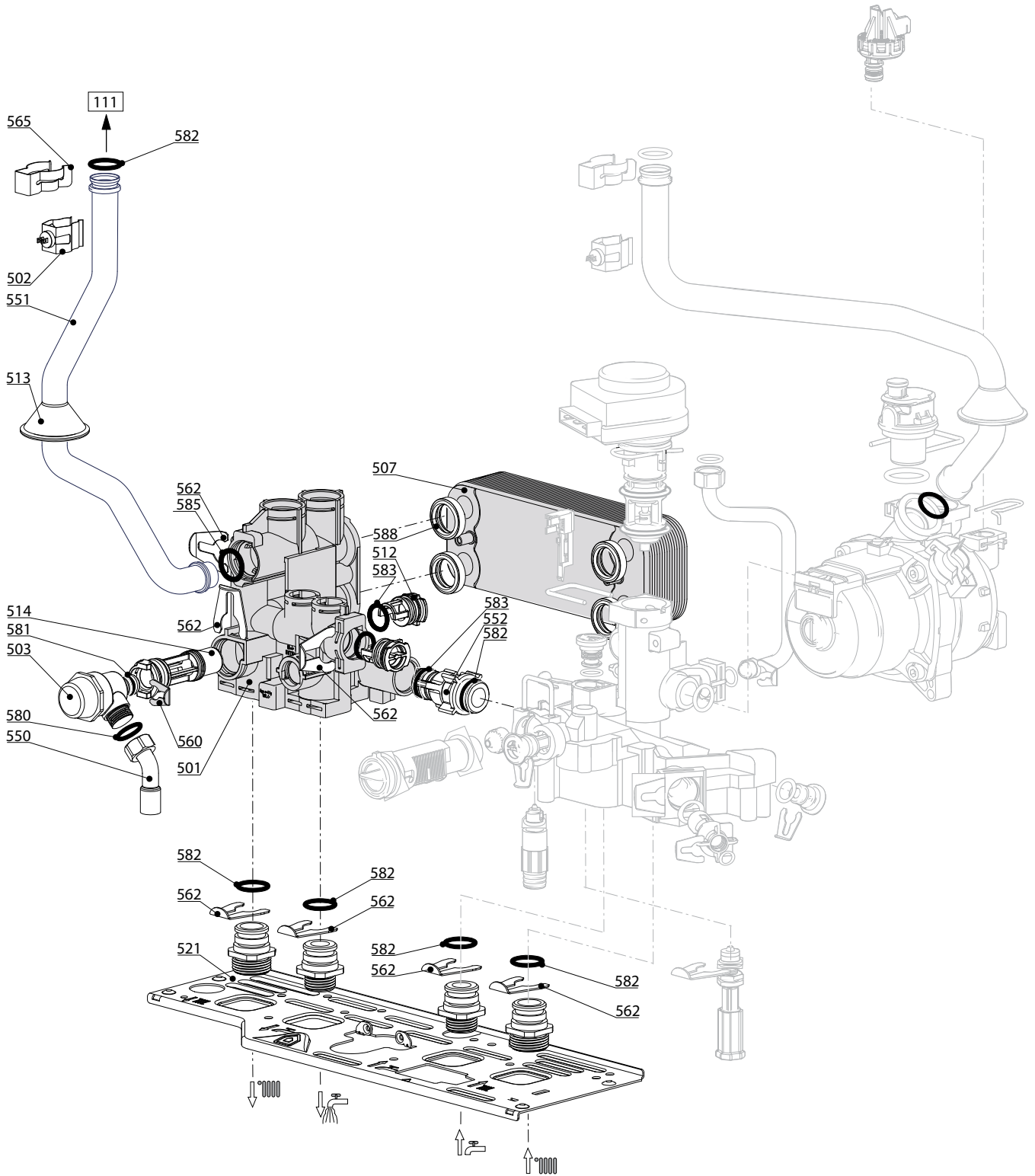
Col	Reference	Model type	Begin	End
-----	-----------	------------	-------	-----



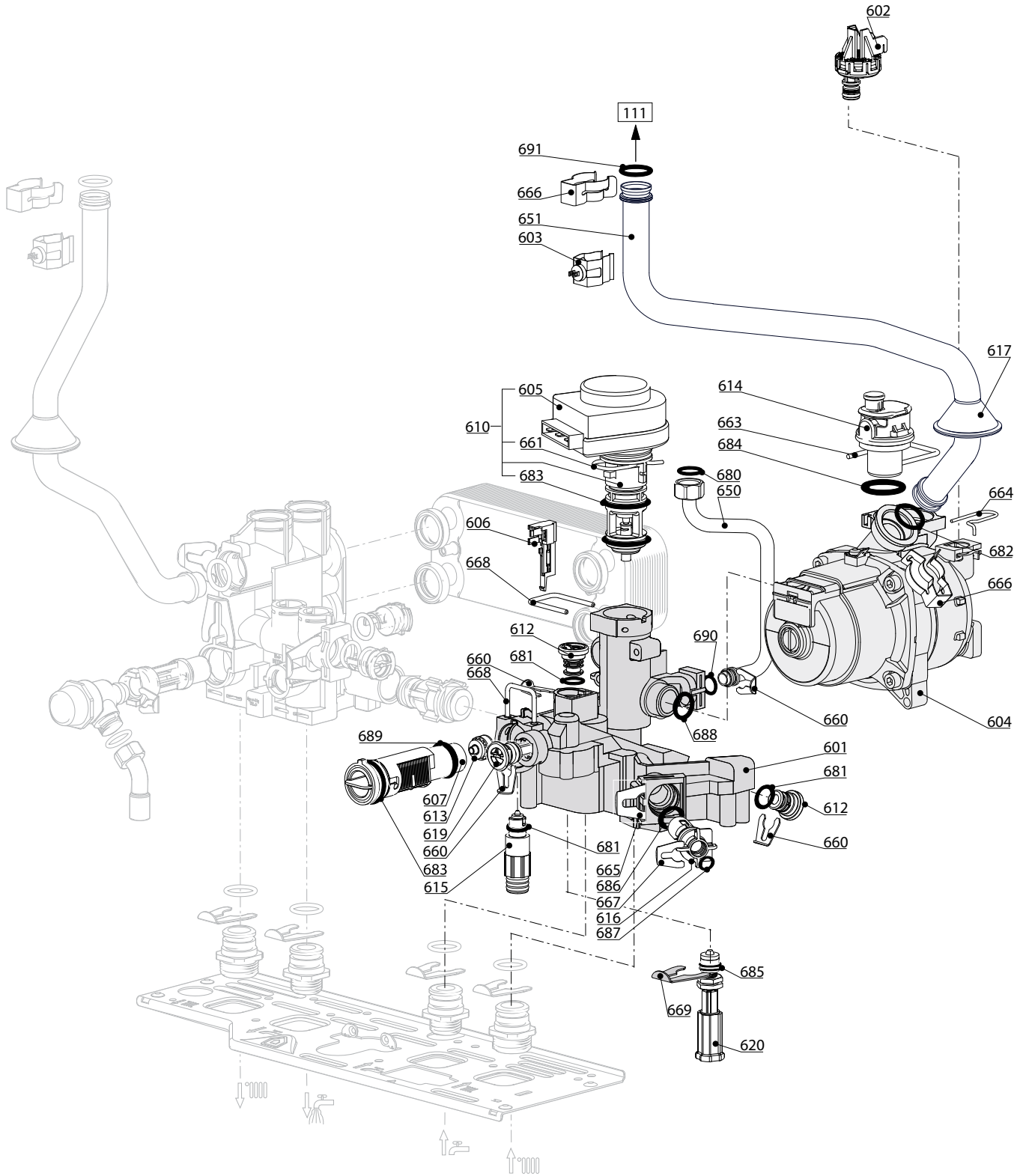
☺	Description	Manf. Pt. N	Type	<div style="display: flex; justify-content: space-between; align-items: center;"> <div style="transform: rotate(-45deg); font-size: 8px; white-space: nowrap;"> MIRA C GREEN EVO 25 MIRA C GREEN EVO 25-3CEP MIRA C GREEN EVO 30 MIRA C GREEN EVO 35 </div> <div style="border: 1px solid black; padding: 2px;">31</div> </div>																	
				1	2	3	4	5	6	7	8	9	10	11	12	13	14	15	16	17	18
0100	BURNER ASSEMBLY																				
0101	IGNITION ELECTRODE	60000868-01		•	•	•	•														
0102	IONIZATION ELECTRODE	60000867-01		•	•	•	•														
0110	INSULATION (FRONTAL)	60000297		•	•	•	•														
0111	EXCHANGER 30KW	65111606					•														
	EXCHANGER 35KW	65111607						•													
	EXCHANGER 18/24KW	65111608		•	•																
0114	BURNER 18/24KW	60000288-01		•	•																
	BURNER 30KW	60001912					•														
	BURNER 35KW	60001913						•													
0115	AIR SEPARATOR	60000994		•	•	•	•														
0116	DOOR ASSY	65111604		•	•	•	•														
0117	TRAP	60000987		•	•	•	•														
0150	TUBE PVC D:19 L:500	60000976		•	•	•	•														
0151	OUTGOING CONDENSATION TUBE	60001929		•	•	•	•														
0152	SILICONE TUBE D: 8x1 L: 0.15M	60001013		•	•	•	•														
0171	GASKET D:80.6-1.8	60001610		•	•	•	•														
0172	ELECTRODE GASKET	60000286-01		•	•	•	•														
0173	DOOR GASKET	60000623		•	•	•	•														
0175	GASKET	60001609		•	•	•	•														
0200	GAS SECTION																				
0201	GAS VALVE	60001612		•	•	•	•														
0202	FAN ASSY	60001869		•	•	•	•														
0210	GAS RESTRICTOR D: 5.00	60001921	MET	•	•																
	GAS RESTRICTOR D: 6.60	60001922	MET				•														
	GAS RESTRICTOR D: 5.70	60001940	MET					•													
0212	VENTURI D: 21MM	60001919						•													
	VENTURI D: 17MM	60001941		•	•																
	VENTURI D: 25MM	60001942							•												
0213	SILENCER	65111609		•	•	•	•														
0214	GAS TUBE 24 KW	60001937		•	•																
	GAS TUBE 30 KW	60001938						•													
	GAS TUBE 35 KW	60001939								•											
0217	UNION (3/4)	65104326		•	•	•	•														
0218	UNION (1/2)	65104327		•	•	•	•														
0219	GROMMET	61010109		•	•	•	•														
0250	GAS TUBE	60000720		•	•	•	•														
0251	SILICONE PIPE	60001613		•	•	•	•														
0270	GASKET (SPARK GENERATOR)	574279		•	•	•	•														
0271	GASKET	60001931		•	•	•	•														
0281	O-RING 22,22X2,62	65104304		•	•	•	•														
0282	SHEET GASKET D: 24-18.2-1.5	60022835-01		•	•	•	•														
0286	GASKET	60001878		•	•	•	•														



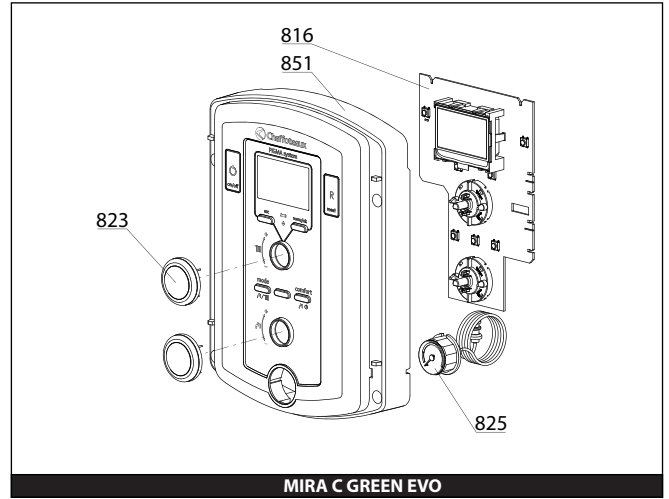
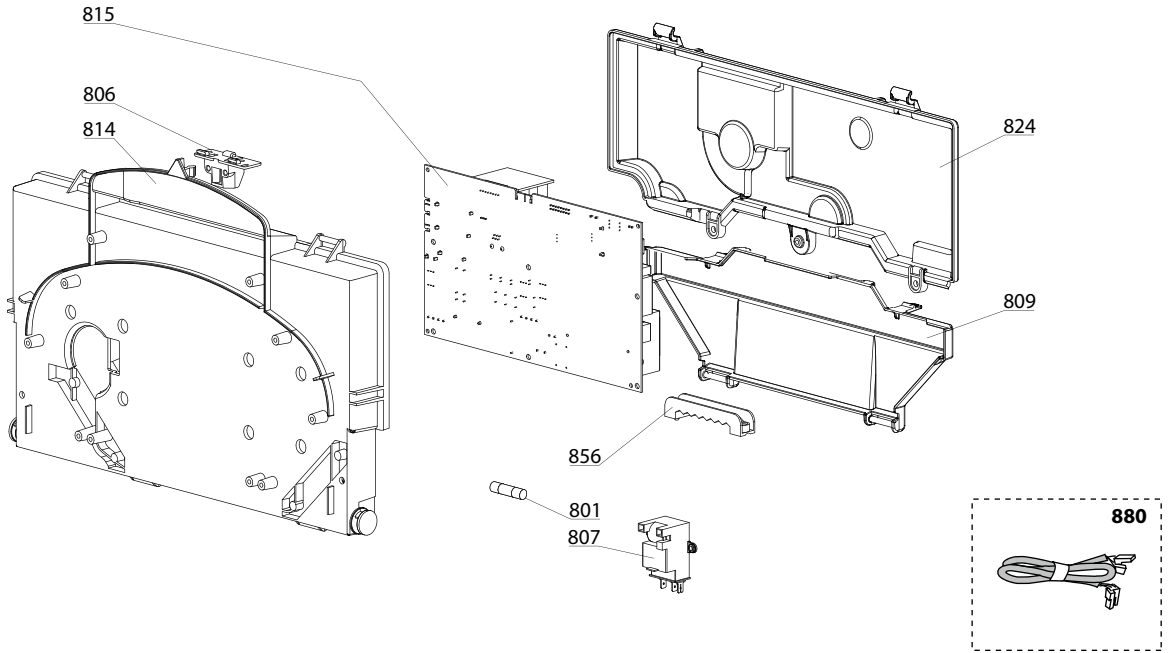
☉	Description	Manf. Pt. N	Type	MIRA C GREEN EVO 25 MIRA C GREEN EVO 25-3CEP MIRA C GREEN EVO 30 MIRA C GREEN EVO 35																	
				1	2	3	4	5	6	7	8	9	10	11	12	13	14	15	16	17	18
0300	FAN ASSEMBLY																				
0310	BI FLUX CONNECTION	60000523		•		•	•														
	BI FLUX CONNECTION	60001954				•															
0312	FLUE INTAKE PLUG	65104295		•	•	•	•														
0370	SEALING RING 80mm	60000315		•	•	•	•														
0371	GASKET	60000316		•		•	•														
	MANIFOLD GASKET	65103366				•															
0373	GASKET	60000317		•	•	•	•														
0400	SEALED CASE																				
0401	EXPANSION VESSEL	65104261		•	•	•	•														
0412	SPRING FRONT PANEL (KIT)	65104298		•	•	•	•														
0413	AIR RETURN COVER	65104249		•	•	•	•														
0414	PANEL (FRONT - SEALED CHAMBER)	65105678		•	•	•	•														
0415	SIDE PANELS LEFT + RIGHT	65111885		•	•																
	SIDE PANELS LEFT + RIGHT	65111900					•														
	SIDE PANELS LEFT + RIGHT	65111901								•											
0417	CASE PANEL (FRONT)	60000983		•	•	•	•														
0420	EXPANSION VESSEL SUPPORT	65104696		•	•	•	•														
0470	CABLE INLET RUBBER WASHER	60000540		•	•	•	•														
0471	CABLE INLET RUBBER WASHER	60000541		•	•	•	•														



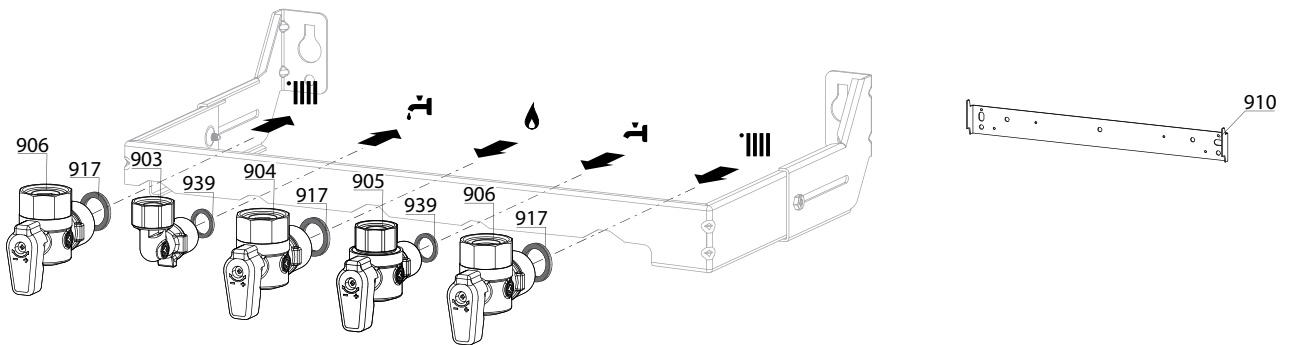
☉⇒	Description	Manf. Pt. N	Type	<div style="display: flex; justify-content: space-between; font-size: small;"> MIRA C GREEN EVO 25 MIRA C GREEN EVO 25-3CEP MIRA C GREEN EVO 30 MIRA C GREEN EVO 35 </div>																		31
				1	2	3	4	5	6	7	8	9	10	11	12	13	14	15	16	17	18	
0500	FLOW GROUP																					
0501	FLOW GROUP	60001952		•	•	•	•															
0502	TEMPERATURE PROBE + CLIP	990686		•	•	•	•															
0503	PRESSURE RELIEF VALVE 3 BAR	61312668		•	•	•	•															
0507	WATER / WATER HEAT EXCHANGER 16	65104333		•	•	•	•															
0512	PLUG	65104445		•	•	•	•															
0513	GROMMET	61010109		•	•	•	•															
0514	BY-PASS	65104336		•	•	•	•															
0521	HYDRAULIC GROUP SUPPORT	60001375		•	•	•	•															
0550	PIPE (SAFETY VALVE)	65104447		•	•	•	•															
0551	HEATING FLOW TUBE	60000859		•	•	•																
	HEATING FLOW TUBE	60000981						•														
0552	BY-PASS PIPE	65104340		•	•	•	•															
0560	CLIP D:10	65104260		•	•	•	•															
0562	CLIP D=18	65104259		•	•	•	•															
0565	CLIP	60000309		•	•	•	•															
0580	SHEET GASKET D: 13.9-10.4-1.5	60061853-02		•	•	•	•															
0581	O - RING (15.88X2.62)	65104337		•	•	•	•															
0582	O-RING D: 17.86-2.62	61308091		•	•	•	•															
0583	O - RING (15.54X2.62)	65104325		•	•	•	•															
0585	O-RING 3,53X17,04	65104262		•	•	•	•															
0588	EXCHANGER GASKET	65104334		•	•	•	•															



☉⇒	Description	Manf. Pt. N	Type	<div style="display: flex; justify-content: space-between; align-items: center;"> <div style="transform: rotate(-45deg); font-size: small;"> MIRA C GREEN EVO 25 MIRA C GREEN EVO 25-3CEP MIRA C GREEN EVO 30 MIRA C GREEN EVO 35 </div> <div style="border: 1px solid black; padding: 2px;">31</div> </div>																	
				1	2	3	4	5	6	7	8	9	10	11	12	13	14	15	16	17	18
0600	RETURN GROUP																				
0601	RETURN GROUP	60000874		•	•	•	•														
0602	LOW PRESSURE SWITCH	65105090		•	•	•	•														
0603	TEMPERATURE PROBE + CLIP	990686		•	•	•	•														
0604	PUMP 6M 2V	60000591					•	•													
	PUMP 5M 2V	65104319		•	•																
0605	MOTOR - THREE-WAY VALVE	61302483-01		•	•	•	•														
0606	SENSOR (REED)	65104323		•	•	•	•														
0607	FLOW METER	60000870		•	•	•	•														
0610	MOTOR + SPRING 3 WAY VALVE KIT	60001583		•	•	•	•														
0612	PLUG	65104377		•	•	•	•														
0613	RIDUCTORS (KIT)	65104318		•	•	•	•														
0614	AUTO AIR VENT WITH O-RING	65104703		•	•	•	•														
0615	KIT DRAIN SCREW	60001385		•	•	•	•														
0616	WATER FILTER	60001372		•	•	•	•														
0617	GROMMET	61010109		•	•	•	•														
0619	CHECK VALVE CARTRIDGE	65105323		•	•	•	•														
0650	PIPE (EXPANSION VESSEL)	60000718		•	•	•	•														
0651	HEATING RETURN TUBE	60001928		•	•	•	•														
0660	CLIP D:10	65104260		•	•	•	•														
0661	CLIP	65104332		•	•	•	•														
0663	U-CLIP	65104704		•	•	•	•														
0664	CLIP	65104322		•	•	•	•														
0665	CLIP	65104331		•	•	•	•														
0666	CLIP	60000309		•	•	•	•														
0667	CLIP	65100680		•	•	•	•														
0668	CLIP	65104316		•	•	•	•														
0680	GASKET 3/8	573521		•	•	•	•														
0681	O - RING (9.19X2.62)	65104313		•	•	•	•														
0682	O-RING 3,53X17,04	65104262		•	•	•	•														
0683	O - RING (23.47X2.62)	65104315		•	•	•	•														
0684	O-RING	65104705		•	•	•	•														
0686	O - RING (15.54X2.62)	65104325		•	•	•	•														
0687	O RING D: 5.7-1.9	61009834-10		•	•	•	•														
0688	O - RING (21.89X2.62)	65104320		•	•	•	•														
0689	O-RING 17,17X1,78	65104303		•	•	•	•														
0690	O-RING D: 8.9-2.7	61009834-14		•	•	•	•														
0691	O-RING D: 17.86-2.62	61308091		•	•	•	•														



MIRA C GREEN EVO



5000

5001
 Transf. gaz > GPL
 Conv. gas > GPL
 Trasn. gas > GPL
 Transf. gas > GPL

5002
 Transf. gaz > Nat
 Conv. gas > Nat
 Trasn. gas > Met
 Transf. gas > Met

5020
 Options
 Accessories
 Opzioni
 Accessorio

☉⇒	Description	Manf. Pt. N	Type	MIRA C GREEN EVO 25 MIRA C GREEN EVO 25-3CEP MIRA C GREEN EVO 30 MIRA C GREEN EVO 35																	
				1	2	3	4	5	6	7	8	9	10	11	12	13	14	15	16	17	18
0800	ELECTRICAL BOX																				
0801	FUSE 250V 2A - TEMPORIZED	61003456		•	•	•	•														
0806	PUSH	65104228		•	•	•	•														
0807	IGNITER	60001871		•	•	•	•														
0809	INSPECTION COVER	60001618		•	•	•	•														
0814	CONTROL PANEL	60001616		•	•	•	•														
0815	PRINTED CIRCUIT BOARD	60001899		•	•	•	•														
0816	PRINTED CIRCUIT BOARD (DISPLAY)	60001906		•	•	•	•														
0823	PUSH BUTTON	60001932		•	•	•	•														
0824	CONTROL PANEL COVER (REAR)	60001617		•	•	•	•														
0825	PRESSURE GAUGE	60001907		•	•	•	•														
0851	FRONT CONTROL PANEL COMPLETE	60001909		•	•	•	•														
0856	CABLE CLAMP	65103377		•	•	•	•														
0880	ELECTRODE IGNITION CABLE	60000527		•	•	•	•														
	DISPLAY WIRING	60000746		•	•	•	•														
	FEEDER 240V	60001619		•	•	•	•														
	FLOW METER CABLE - PRESS SENSOR CABLE	60001620		•	•	•	•														
	THREE WAY VALVE CABLE	60001621		•	•	•	•														
	GAS VALVE CABLE	60001622		•	•	•	•														
	FAN CABLE	60001624		•	•	•	•														
	IONIZATION ELECTRODE CABLE	60001883		•	•	•	•														
	IGNITOR CABLE	60001894		•	•	•	•														
	NTC PROBE - NTC EXCHANGER	60001901		•	•	•	•														
	CONTACT SOCKET CONNECTOR 2 P.	60001903		•	•	•	•														
	CONTACT SOCKET CONNECTOR 2 P.	60001904		•	•	•	•														
	EARTH WIRE	65104286		•	•	•	•														
	PUMP 6M 2V	60000591	WILO					•	•												
	PUMP 2V CABLE 5M	65104520	WILO	•	•																
0900	JIG PLATE & PIPE FITTING																				
0903	HOT WATER CONNECTION	60000891		•	•	•	•														
0904	GAS SERVICE TAP	60000898		•	•	•	•														
0905	COLD WATER TAP	60000895		•	•	•	•														
0906	WATER FLOW & RETURN SERVI. TAP	60000885		•	•	•	•														
0910	WALL HOOK	60000625		•	•	•	•														
0917	SHEET GASKET D: 24-17-1.5	60061855-19		•	•	•	•														
0939	SHEET GASKET D: 16.5-11-1.5	60061854-14		•	•	•	•														
5000	ACCESSORIES																				
5001	BURNER JET FULL KIT (LPG)	60001946		•		•	•														

LIST OF THE ABBREVIATIONS

HW	: Hot water.
CW	: Cold water.
C	: Ceramic resistance (normal heating).
Ca	: Ceramic resistance (accelerated heating)
TP	: Immersion heater.
1F	: With fittings.
2F	: Without fittings.
3F	: With fittings and another outlet connection.
AMI	: With mixing valve.
SMI	: Without mixing valve.
PUISS	: Power of th appliance.
PN	: Appliance with normal pression.
LP	: Appliance with low pression.
PV	: Appliance with variable power.
PF	: Appliance with fixed power.

IDENTIFICATION PLATE

SERIAL NUMBER

10 Characters :

04 05 125 011
 Year of manufacture Manufacturing day Sequential number

11 Characters :

1 95 065004 - 31
 Month of manufacture : Technical number of the appliance
 from 1 to 9 → Jan. to Sep.,
 O → Oct., N → Nov.,
 D → Dec. Sequential number
 Year of manufacture

19 Characters :

08 05 0013199 900640031
 Year of manufacture Product reference
 Month of manufacture Sequential number

20 Characters :

3675007 XX 2 07 070 00315
 Product reference Sequential number
 Millenium of manufacture Manufacturing day
 Year of manufacture

21 Characters :

3675007 XX 07 070 0000315
 Product reference Sequential number
 Year of manufacture Manufacturing day